

- **No Programming Required**
- **Excellent Chemical Resistance**
- **Perfect for Dosing | Pulsating Flows**

316SS

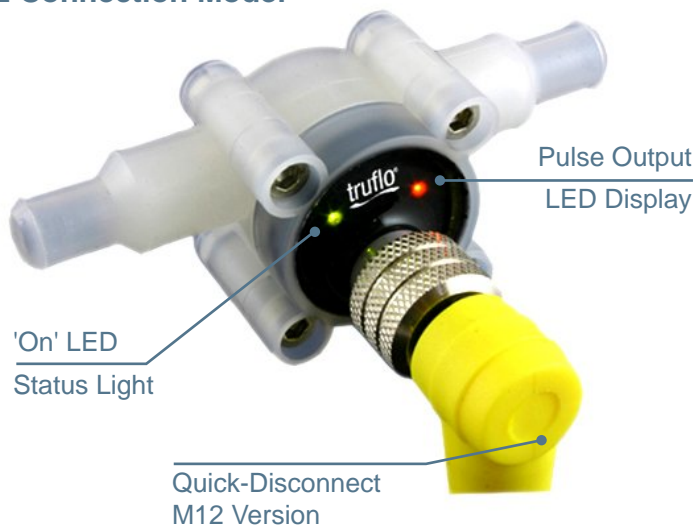
FPM

PVDF

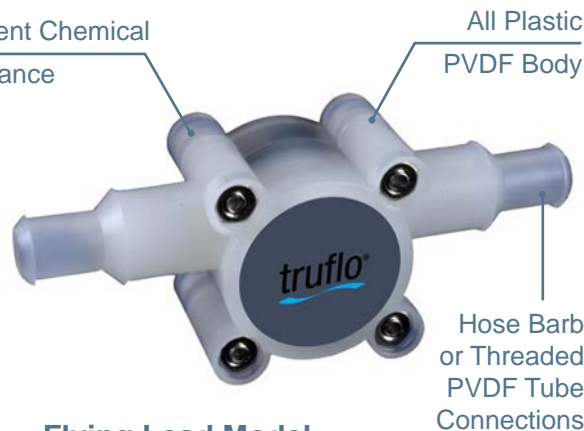
SERIES : PROPULSE
CONNECTION : Pipe or Hose Barb
SEALS : Viton™
Sapphire Bearing

ProPulse provides superior performance and delivers accurate Ultra Low Flow measurement that is highly repeatable under the most demanding of industrial environments. The ProPulse Series consists of one universal body that can be customized into six 6 selectable flow ranges. Changing from one flow range to another is simply achieved by inserting a very precise flow jet, no special tools required for change out ...truly Plug and Play. The ProPulse operates using a PVDF rotor with encapsulated magnetic inserts which rotate on a long wearing set of sapphire bearings designed to provide years of reliability. As the rotor spins the magnetic field produced by the magnets is pick up via a Hall Effect Sensor which converts the rotation into a square wave NPN pulse output that can be sent directly to a metering pump or local display.

M12 Connection Model



Excellent Chemical Resistance



Flying Lead Model

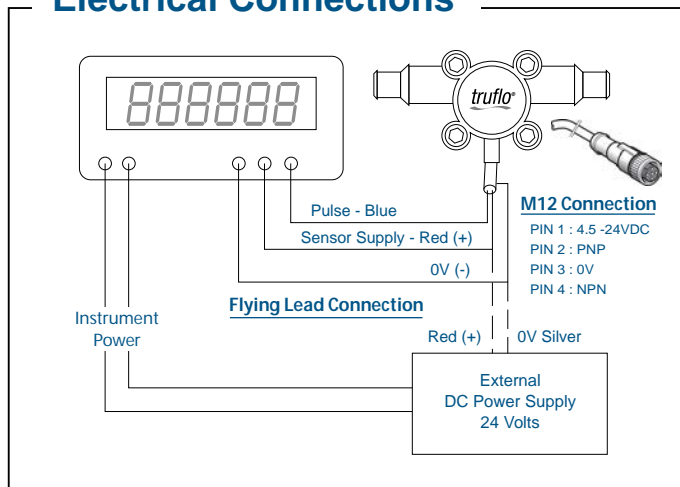
FEATURES

- Universal Body | 6 Different Flow Ranges - Flow Jets Are Field Replaceable
- Excellent Chemical Resistance
- All Plastic PVDF Body & Rotor | Sapphire Bearings
- Ultra Low Flow Ranges | 50 ml/min | 0.013 GPM
- Pressure Rating | 10 bar | 150 psi
- Compact | Lightweight
- Temperature Rating | -40 - 120°C | -40 - 248°F
- High Accuracy & Repeatability
- NPN or PNP Pulse Output

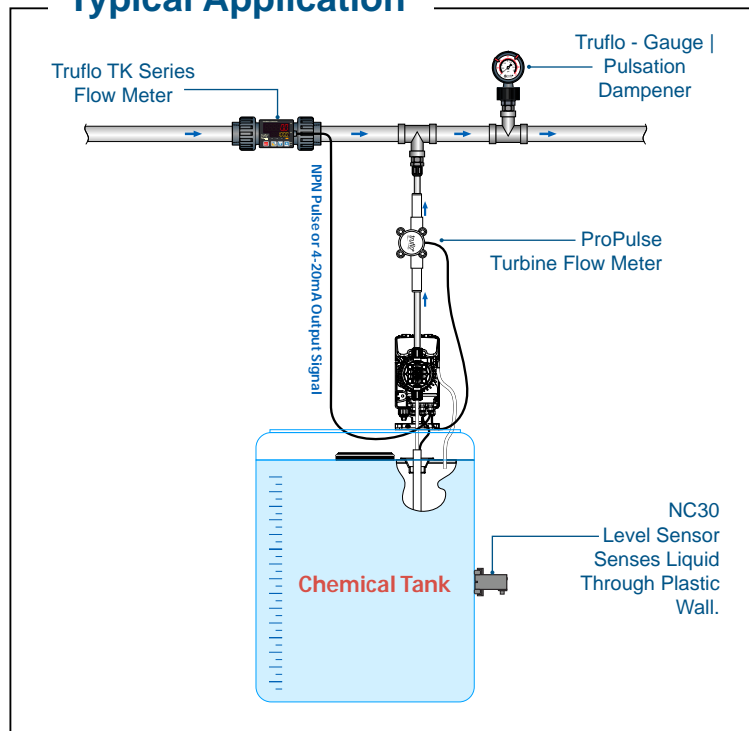
SPECIFICATIONS

Accuracy	See Table Below
Repeatability	±0.1%
Pulse Output	NPN Hall Effect Square Wave –Switch Current 10 mA max.
Pressure rating	10 bar 150 psi Non-Shock
Viscosity / particles	Less than 90 micron
Temperature rating	-240°C - 125°C -4 - 240°F
Calibration	6.8 GHZ
Body and internals	316 SS PVDF Sapphire Bearing
Seals	Viton® O-ring
Connections	1/4"-1/2" NPT
Power Consumption	7.5mA

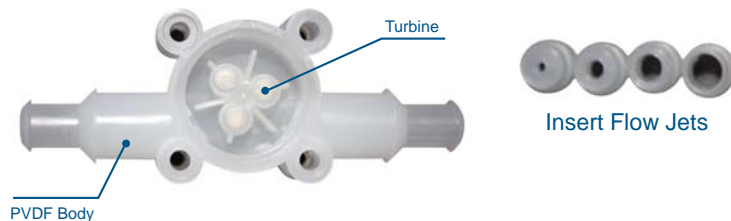
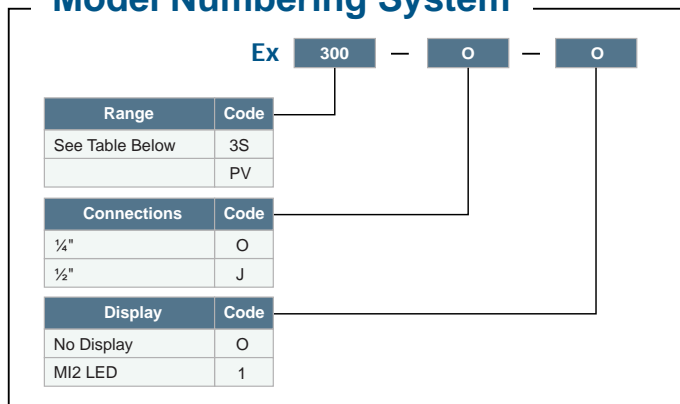
Electrical Connections



Typical Application



Model Numbering System



Flow Ranges and Pulses -K Factor

Model	Range LPM	Range GPM	Accuracy \pm % Full Scale	Frequency Hz	K-factor 1/liter	K-factor 1/gallon
3S PV - Jet 1	0.05 - 0.50	0.014 - 0.13	2.0	142	17000	64352
3S PV - Jet 2	0.12 - 1.50	0.032 - 0.40	2.0	175	7000	26498
3S PV - Jet 3	0.20 - 4.50	0.053 - 1.190	1.5	260	3500	13249
3S PV - Jet 4	0.25 - 6.50	0.067 - 1.72	1.5	230	2100	7949
3S PV	0.30 - 10.0	0.08 - 2.60	1.0	235	1420	5375
3S PV	0.50 - 15.0	0.132 - 4.00	1.0	245	980	3710
3S PV	2.00 - 30.0	0.523 - 7.93	1.0	250	500	1893

Dimensions

